

IZERWAREN



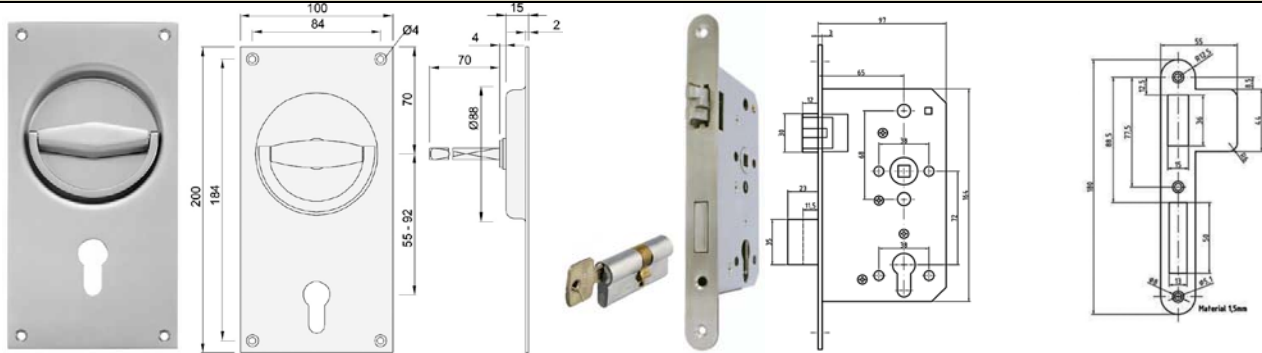
Chapter Five

Flush Levers for Pocket Doors and Sliding Doors, Bulwark Latches, Sliding Door Track, Flush Pulls

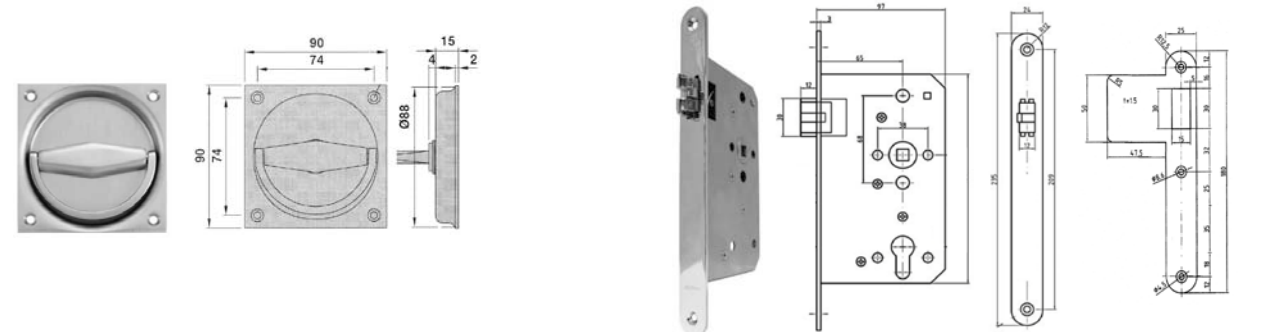


Edition 23

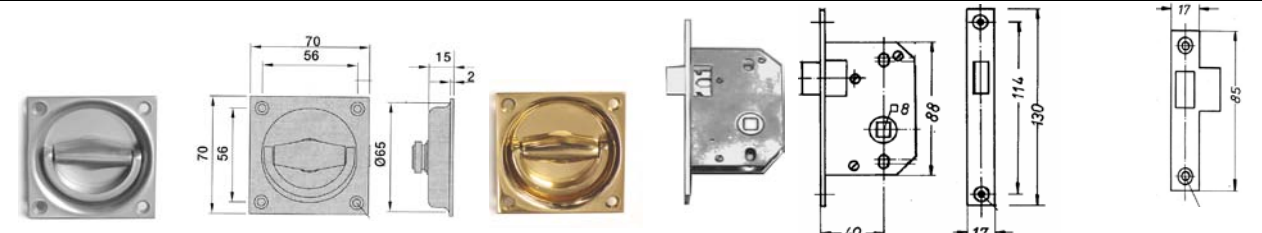
Non Corrosive Fine Building and Ships Hardware
IZERWAREN.COM



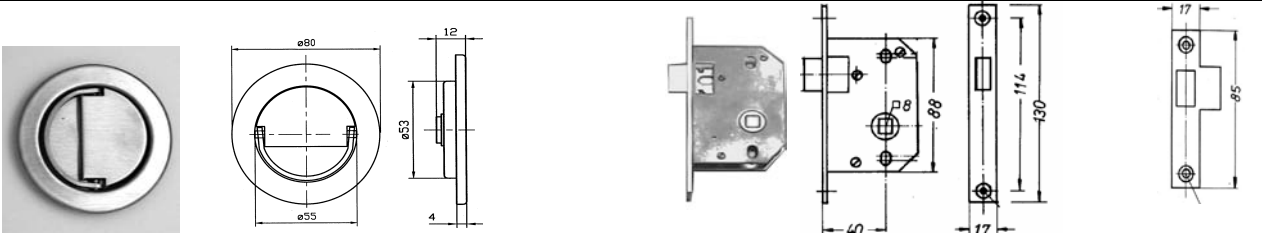
SET: #51.004Z Complete Flush Swinging Entry Door Set. Stainless steel lock and stainless steel flush plate with keyway. Parts separate: Entry lock #14.31272 with 65 mm backset with strike plate #14.0031; with flush door handle on plate #51.004; dimensions plate: 100 x 200 mm, for use with Profile Cylinder. **MINIMUM DOOR THICKNESS: 2 1/8" OR 54 MM**



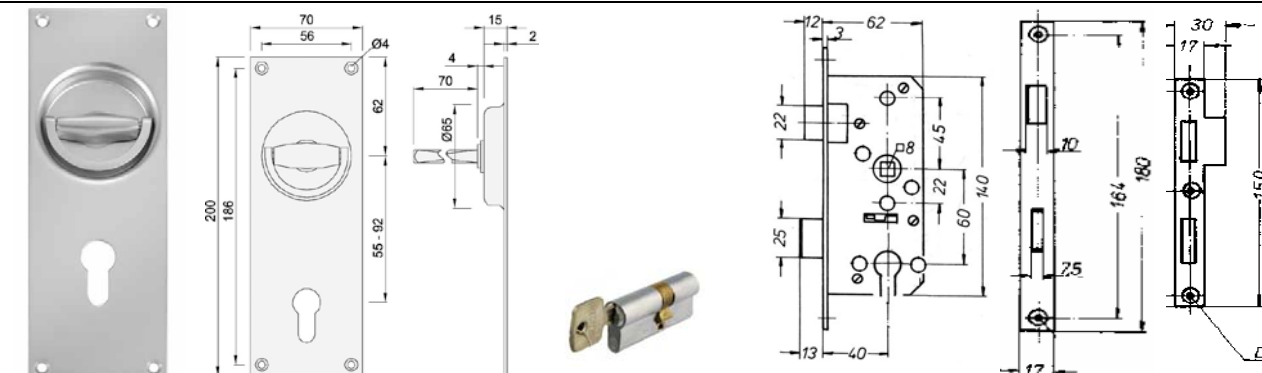
Set: #51.016F Complete Flush Swinging Passage Latch Set. 65 mm backset. Parts separate: Stainless steel passage lock #14.3189 with stainless steel strike #14.0035 and stainless steel flush lever on plate #51.016; dimensions plate: 90 x 90 mm. **MINIMUM DOOR THICKNESS: 2 1/8" OR 54 MM**



Set: #51.013F Complete Flush Swinging Passage Latch Set. 40 mm backset. Parts Separate: Latch #16.431 with strike plate #16.225; Flush Door Handle on plate #51.013; 70 x 70 mm, Flush levers available in brass or aluminum. **MINIMUM DOOR THICKNESS: 1 13/16" OR 46 MM**

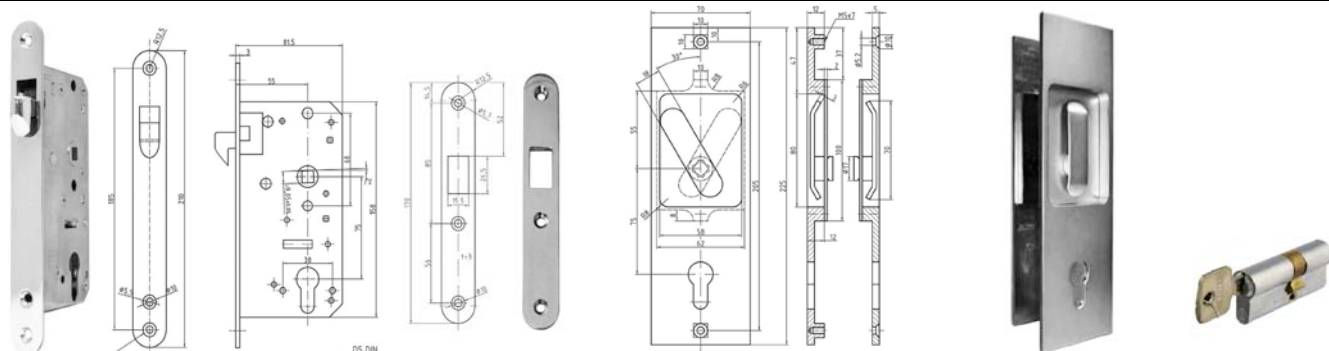


Set: #51.014F Complete Flush Swinging Passage Latch Set. 40 mm backset. Parts Separate: Latch #16.431 with strike plate #16.225; 316 Stainless steel Flush Door Lever #51.391; 80 mm diameter. **MINIMUM DOOR THICKNESS: 1 1/2" OR 38 MM**

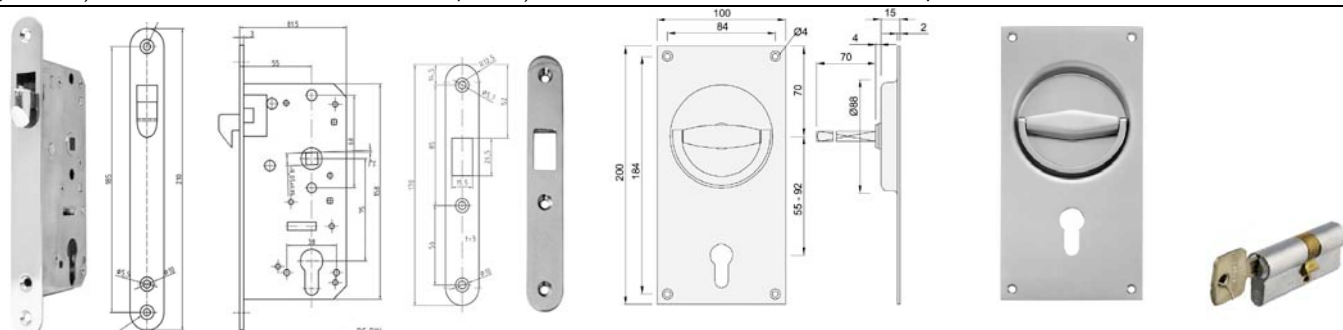


Set: #51.5001Z; Complete Flush Swinging Entry Door Set; 40 mm backset. Parts separate: Lock #16.421; Strike #16.224; Flush Door Lever on Plate #51.5001A; plate: 200 x 70 mm, Silver anodized aluminum, with 8 x 8 mm spindle, **MINIMUM DOOR THICKNESS: 1 13/16" OR 46 MM**

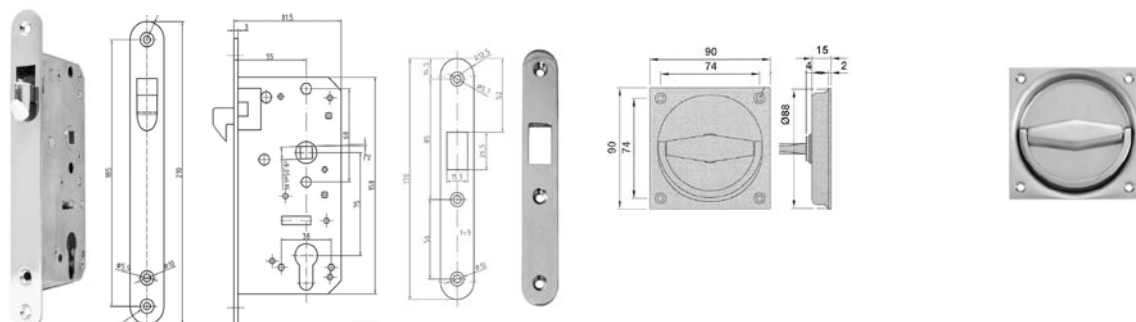
See also page I-4-P; I-4-Q; I-4-R and page I-4-S



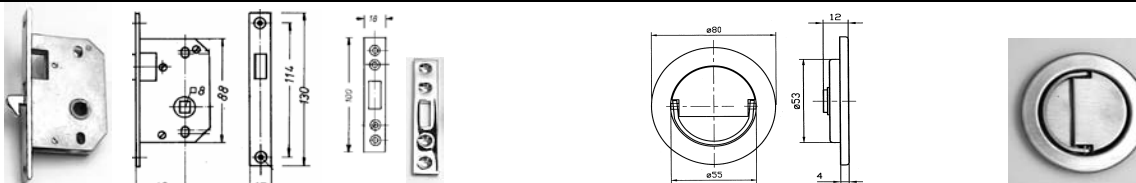
#13.81Z6 SET Complete Sliding Entry Mortise Lock Set. 55 mm backset;
Parts separate: Sliding door lock with strike plate #13.81Z; Profile cylinder keyway 05included; Flush Trim Set #13.610Z; dimensions: 2 3/4 x 8 7/8 inch 8; Plates Protrude from surface door 1/4 inch; **MINIMUM DOOR THICKNESS: 1 3/4 INCH or 44 mm.**



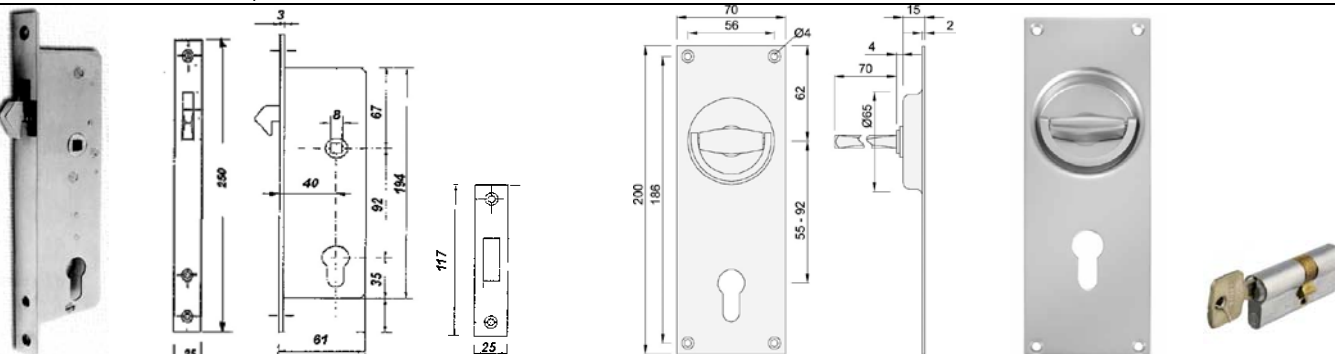
#13.81Z8 SET Complete Sliding Entry Mortise Lock Set. 55 mm backset
Parts separate: Sliding door lock with strike plate #13.81Z;; Stainless steel Flush lever on plate #51.004 ; Flush Set protrudes from surface door: 1/8 inch;
Size plate: 3 15/16 x 7 7/8 inch; **MINIMUM DOOR THICKNESS: 2 1/8 INCH OR 53 MM**



#13.81F8 SET Complete Sliding Passage Mortise Lock Set. 55 mm backset.
Parts separate: Sliding door latch with strike plate #13.81F; Stainless steel Flush lever on plate #51.016 ; Flush Set protrudes from surface door: 1/8 inch;
Size plate: 3 9/16 x 3 9/16 inch; **MINIMUM DOOR THICKNESS: 2 1/8 INCH OR 53 MM**



Set: #51.0891F; Flush Sliding Passage Set. 40 mm backset. With 316 Stainless steel Flush Door Lever #51.391; 80 mm diameter.
DOOR THICKNESS: 1 1/2" OR 38 MM

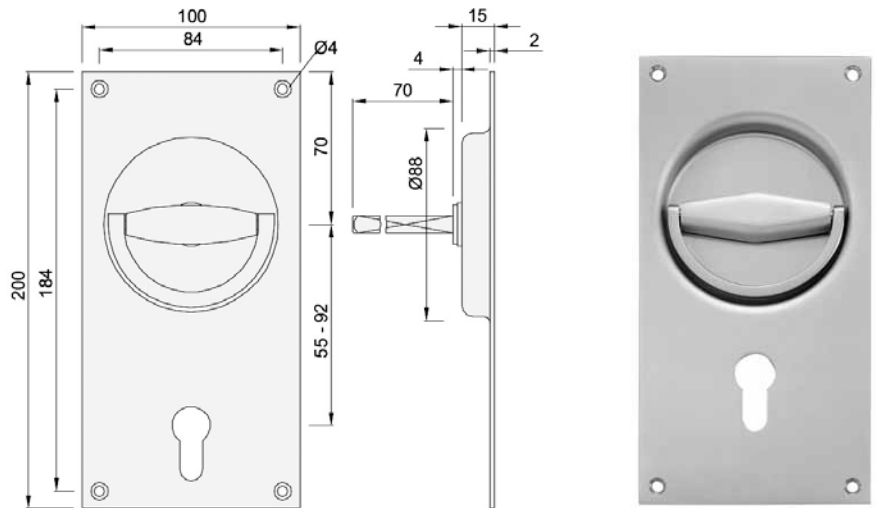


Set: #51.01525Z; Flush Sliding Entry Set with Flush Aluminum. 40 mm backset. Door Lever #51.5001A on plate 70 x 200 mm, Stainless steel Lock with strike #14.152; **DOOR THICKNESS: 2 1/8" OR 52 MM**



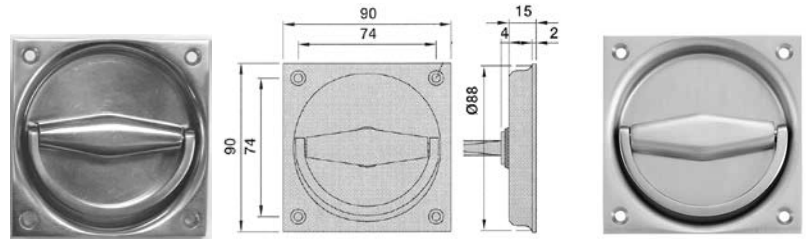
Order number

51.004 **Flush Door Lever Handle, for use with entry set with Profile Cylinder**
 304 Stainless Steel
 100 mm x 200 mm, depth: 13 mm
 Depth: 17 mm
 up-lay: 2 mm
 Finish: satin or polished stainless steel
 For use with 8 x 8 mm spindle



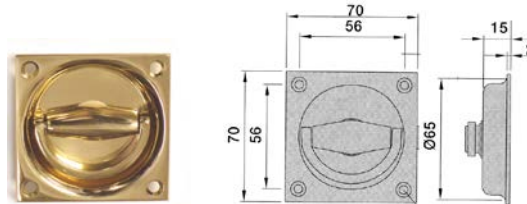
#51.004 flush door handle, 100 x 200 mm, stainless steel for use with Profile Cylinder

51.016 **Flush Door Lever Handle, for use with passage set**
 304 Stainless Steel
 90 mm x 90 mm, depth: 13 mm
 Depth: 17 mm
 up-lay: 2 mm
 Finish: satin or polished stainless steel
 For use with 8 x 8 mm spindle



#51.016 flush door handle, 90 x 90 mm stainless steel

51.013B **Flush Door Lever**
 Solid brass, with 8 x 8 mm spindle
 70 mm x 70 mm, depth: 17 mm
 up-lay: 2 mm



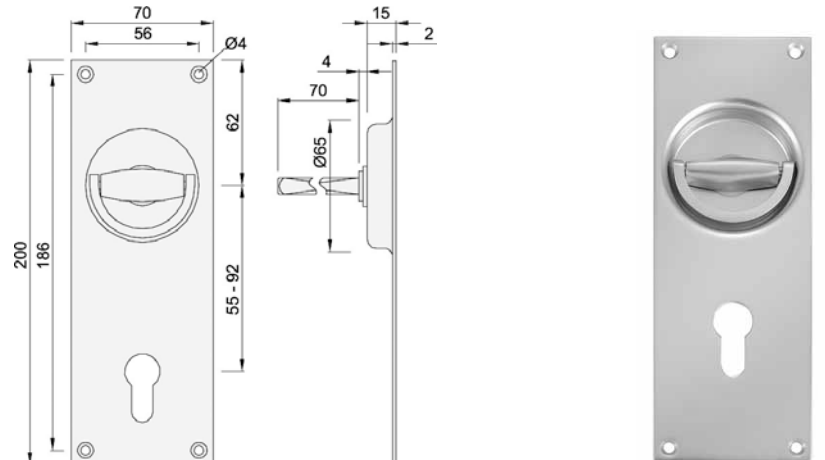
#51.013B flush door handle 70 x 70 mm, in brass and aluminum

51.013A **Flush Door Lever**
 Silver anodized aluminum
 with 8 x 8 mm spindle
 70 mm x 70 mm, depth: 17 mm
 up-lay: 2 mm



#51.016A in aluminum

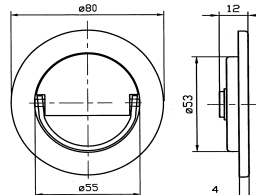
51.5001A **Flush Door Lever**
 Silver anodized aluminum
 On plate 70 mm x 200 mm,
 depth: 17 mm
 with 8 x 8 mm spindle
 up-lay: 2 mm



#51.5001A Flush pate with lever and hole for keyway; Silver Anodized Aluminum

51.5001B **Flush Door Lever**
 Lacquered Brass
 On plate 70 mm x 200 mm,
 depth: 17 mm
 with 8 x 8 mm spindle
 up-lay: 2 mm

51.391 **Flush Door Lever**
 316 Stainless steel Flush Door Lever;
 80 mm diameter ~ 3 1/8 inch
 Up-lay: 4 mm or 3/16 inch
 For 8x8 mm spindle.



#51.391; 316 Stainless steel Flush Door Lever; 80 mm diameter.





Order numbers

Flush levers in chrome/brass,

MINIMUM DOOR THICKNESS: 36 MM - 1 1/2" including budget lock page I-6

13.R55 **Flush rose with indicator**

53 mm or 2 1/8" diameter for use with spindle 8x8 mm



13.R51



13.R55

13.R51 **Flush rose with folding ring**

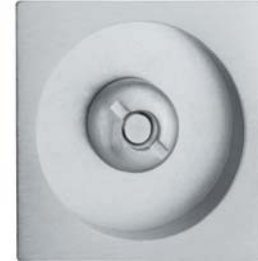
Flush lever: 53 mm diameter. (2 1/8")
Lever Protrudes 1/16"

13.R55 **Flush rose with indicator**

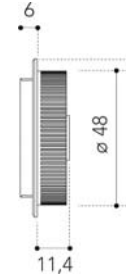
Flush lever: 53 mm diameter. (2 1/8")
Lever Protrudes 5/16"



13.R61



13.R55



Knob protrudes 6 mm or 1/4"

13.R61 **Flush rose with lever**

Flush lever: 53 mm diameter (2 1/8")
Lever Protrudes 1/4" or 6 mm

13.R56 **Flush rose with indicator**

Flush lever: 53 mm diameter. (2 1/8")
Lever Protrudes 5/16"



13.R71



13.R56



13.R59

13.R71 **Flush rose with flap lever**

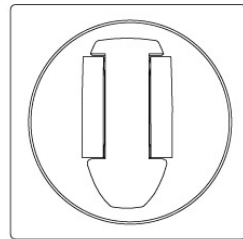
Flush lever: 53 mm diameter (2 1/8")
Lever Protrudes 1/4" or 6 mm

13.R59 **Flush edge pull flap lever**

52 x 29 mm or 2" x 1 1/8"
Ring Lever Protrudes 1/4"

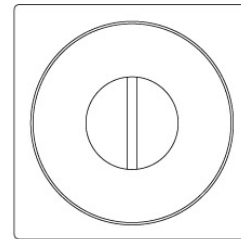


#13.R95



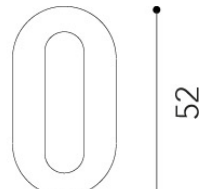
44

53



44

53

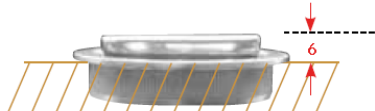


29

52

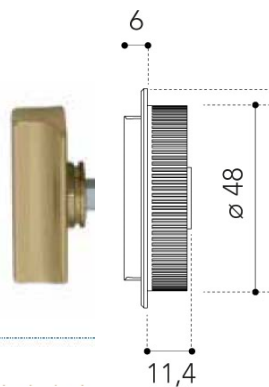
OD: 2 1/8" x 2 1/8" square; drill hole 48 mm or 1 29/32"
ID: 44 mm or 1 3/4" round. Depth: 7/16" or 11.4 mm
Dimensions similar for all models.

#13.R95 Set:
Flap lever with mechanism
Minimum door thickness: 1 1/2"

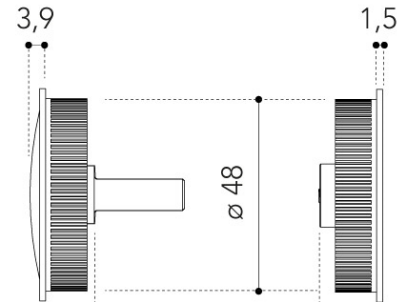


#13.R61

See also pages: 5-0, 5-2, A to G



#13.R61



#13.R71 #13.R51 and #13.R55

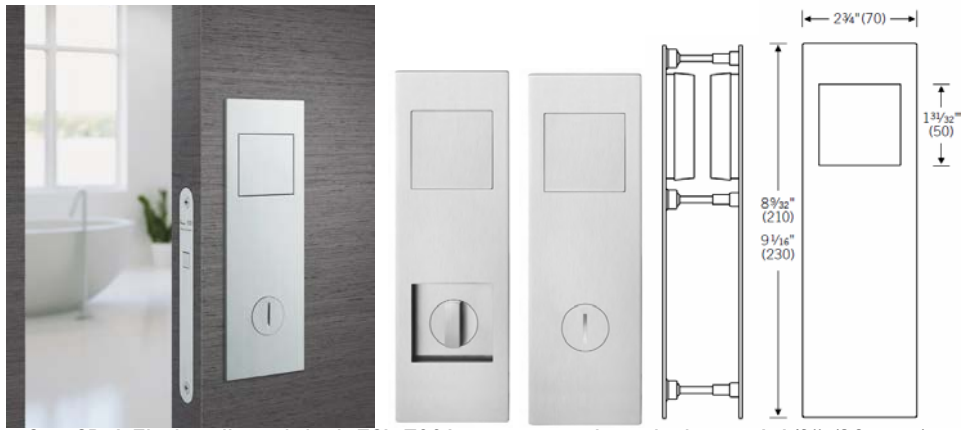


Izerwaren
Order
numbers

Flush levers and Pulls
Sliding Door Locks

13.SB170

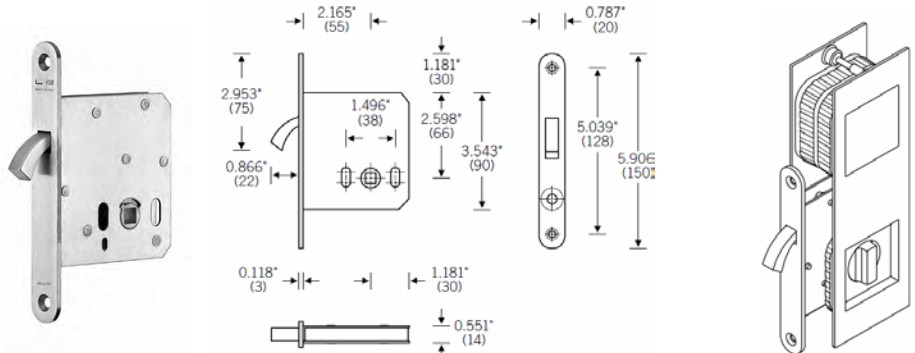
Flush Pulls, Privacy set
230 x70 mm 9 1/16 x 2 3/4 inch
For 1 1/2 inch door thickness
Flush pulls with flaps and
Thumb-turn / indicator included
Parts separate: Page 5-1-E



Set: SB-I Flush pulls with lock ESL 7001 minimum door thickness: 1 1/2" (38 mm)

13.7001

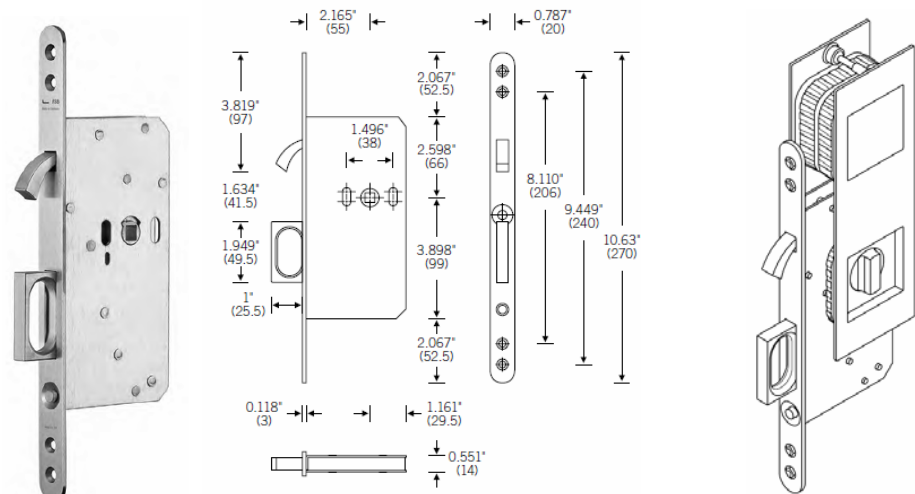
Sliding door lock
55 mm backset ~ 2 3/16 inch
Stainless steel front plate
Steel parts, interior grade



Series ESL 7001 passage lock 55 mm backset; satin stainless finish, steel parts

13.7002

Sliding door lock, edge pull
55 mm backset ~ 2 3/16 inch
Stainless steel front plate
With edge pull
Steel parts, interior grade



Series EPL 7002 passage lock 55 mm backset with edge pull
satin stainless finish, steel parts, interior grade

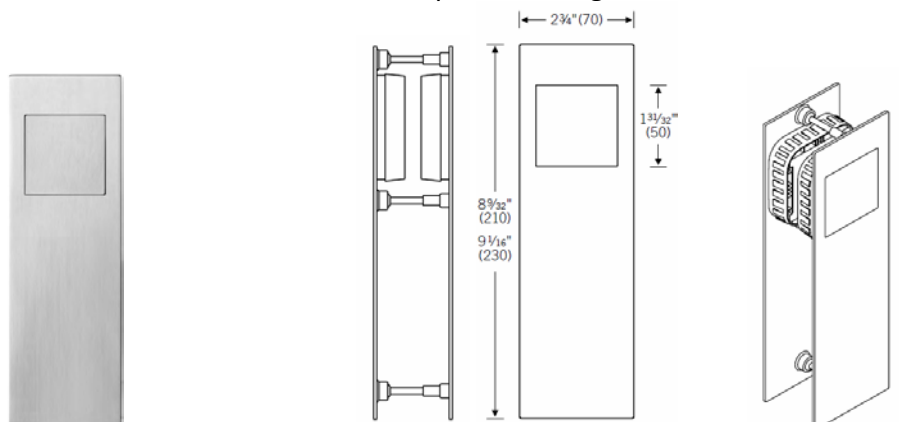


Picture showing double door set

13.SB007

**Flush Pulls with push/flap
lever, set**
230 x70 mm 9 1/16 x 2 3/4 inch
For 1 1/2 inch door thickness

Parts separate: Page 5-1-E

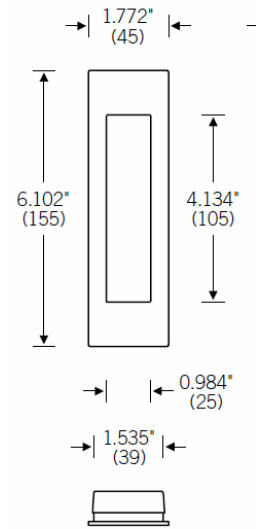


Flush trim set 13.SB007 Dummy set pulls for sliding doors. Min. door thickness: 1 1/2 inch



IZERWAREN
Order
numbers

Flush levers and Pulls
Sliding Door Locks



Set: Flush pulls 13.4251 | Spring loaded cup Minimum door thickness: 1 1/2" (38 mm)
Size: 155 x 45 mm 6 1/16 x 2 3/4 inch

13.42511 **Flush Pulls, spring loaded cup**
155 x 45 mm 6 1/16 x 2 3/4 inch
For 1 1/2 inch door thickness

13.42510 **Flush Pulls, with hole**
155 x 45 mm 6 1/16 x 2 3/4 inch
For 1 1/2 inch door thickness

13.42512 **Flush Pulls, with small hole**
155 x 45 mm 6 1/16 x 2 3/4 inch
For 1 1/2 inch door thickness

- 42 4251 00000 (open)
- 42 4251 00001 (spring loaded cover)
- 42 4251 00002 (half open)



#13.42510
with cup



#13.42511
spring loaded



#13.42512
with slot

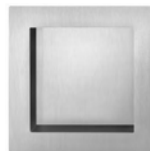
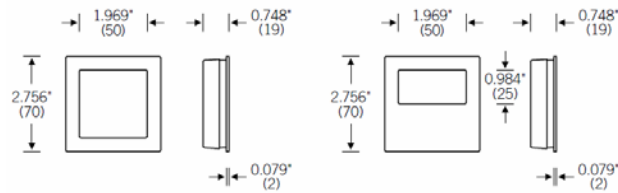
70 x 70 mm; 2 3/4 x 2 3/4 inch; Minimum door thickness: 1 1/2" (38 mm)
Stainless steel

13.42530 **Flush Pulls, Square with hole**
70 x 70 mm 2 3/4 x 2 3/4 inch
Stainless steel

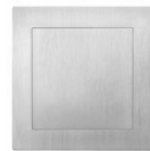
13.42531 **Flush Pulls, Square spring loaded**
70 x 70 mm 2 3/4 x 2 3/4 inch
Stainless steel

13.42532 **Flush Pulls, Square with slot**
70 x 70 mm 2 3/4 x 2 3/4 inch
Stainless steel

- 42 4253 00000 (open)
- 42 4253 00001 (spring loaded cover)
- 42 4253 00002 (half open)



Flush pulls #13.42530
with cup



#13.42531
spring loaded

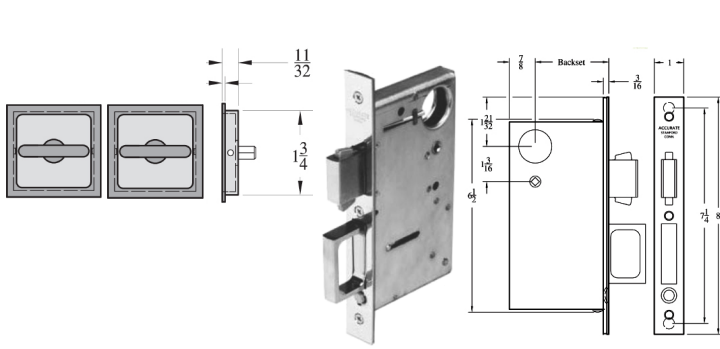


#13.42532
with slot

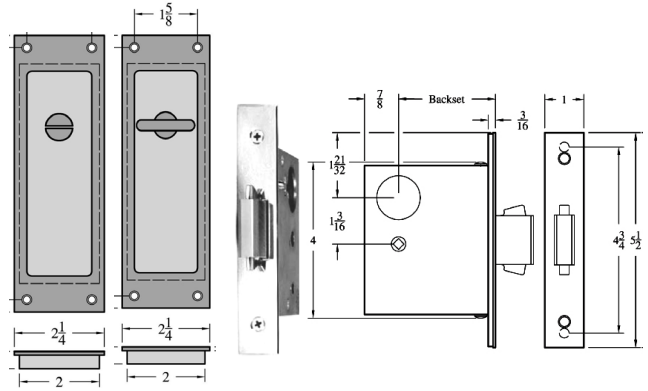
70 x 70 mm; 2 3/4 x 2 3/4 inch; Minimum door thickness: 1 1/2" (38 mm)
Stainless steel



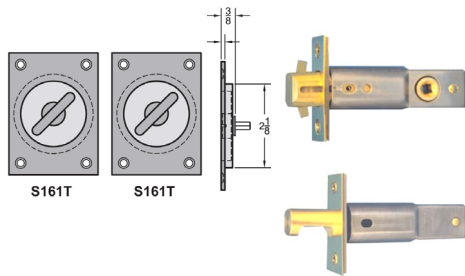
Pocket door locks for door thickness 1 3/8". Steel parts. Interior Grade



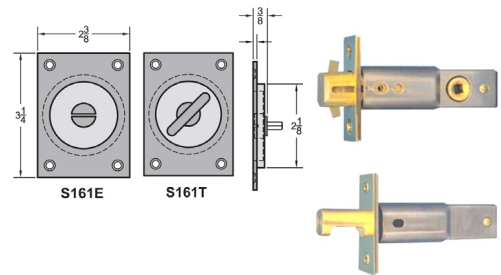
SET: 13.PASB002 Passage Pocket Door Latch Set. With full size mechanism and spring loaded edge pull ; Square flush escutcheon 2 x 2 inch with thumb-turns; **MINIMUM DOOR THICKNESS: 1 3/8"**



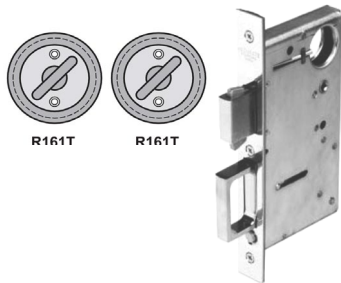
SET: 13.PR002 Passage /privacy set with mortise latch rectangular flush pulls 2 1/4 x 5 9/16 inch; with thumb-turn/indicator **MINIMUM DOOR THICKNESS: 1 3/8"**



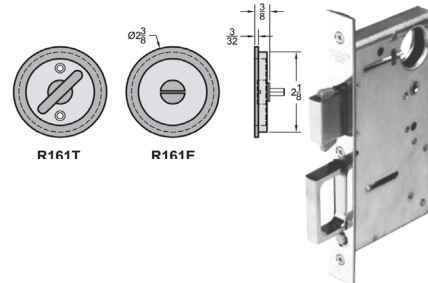
SET: 13.PAS161 Passage set with separate tubular mechanism and spring loaded edge pull ; Rectangular flush escutcheons with thumb-turns; **MINIMUM DOOR THICKNESS: 1 5/8" or 41 mm**



SET: 13.PRS161 Privacy set with separate tubular mechanism ; spring loaded edge pull ; flush escutcheons with thumb-turn and indicator; **MINIMUM DOOR THICKNESS: 1 5/8" or 41 mm**



SET: 13.PAR161 Passage set with full mortise mechanism with spring loaded edge pull ; ROUND flush pull with thumb-turns; 2 3/8 inch diameter. **MINIMUM DOOR THICKNESS: 1 3/8"**



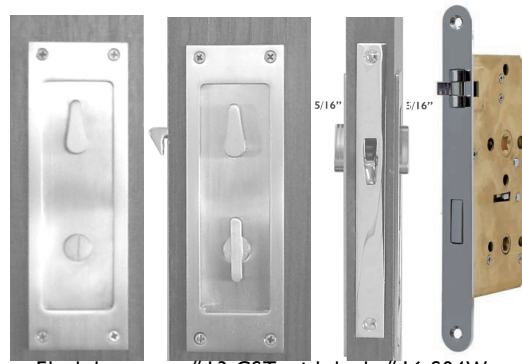
SET: 13.PRR161 Privacy set with separate tubular mechanism and spring loaded edge pull ; Round flush escutcheon with thumb-turn and indicator; **MINIMUM DOOR THICKNESS: 1 3/8"**

flush cups with turning lever / indicator

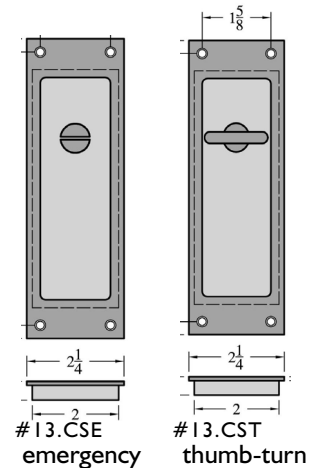


13.R95; Sliding Lock Set Privacy set with Flap lever and mechanism: **MINIMUM DOOR THICKNESS: 1 1/2"**; size square cups: 2 1/6" x 2 1/16".

FOR DETAILS LOCK PARTS SEE PAGE 5-2-E

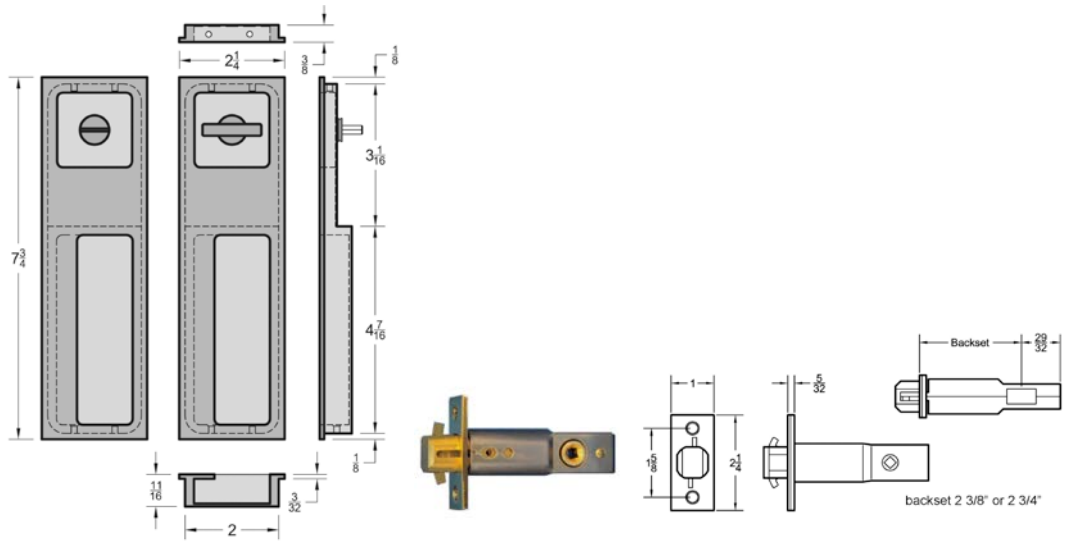


Flush lever set #13.CST with lock # 16.S04W **MINIMUM DOOR THICKNESS: 1 1/4"** Lever protrudes 5/16" from surface on each side of door

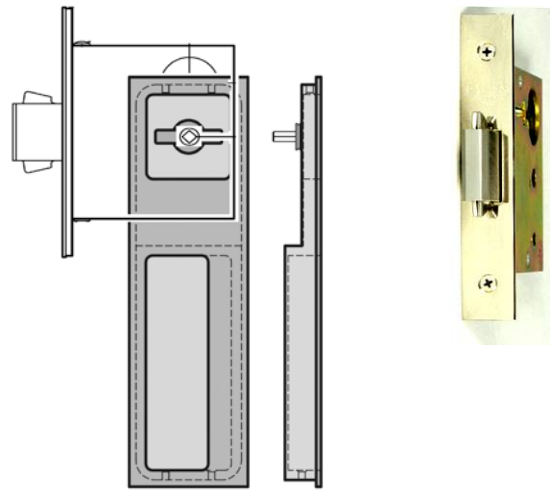


13.CSE emergency

13.CST thumb-turn



SET: 13.PA906I Passage set with tubular lock with flush escutcheon with pull cup; minimum door thickness: 1 3/4"
 SET: 13.PR906I Privacy set with tubular lock with flush escutcheon with pull cup; minimum door thickness: 1 3/4"

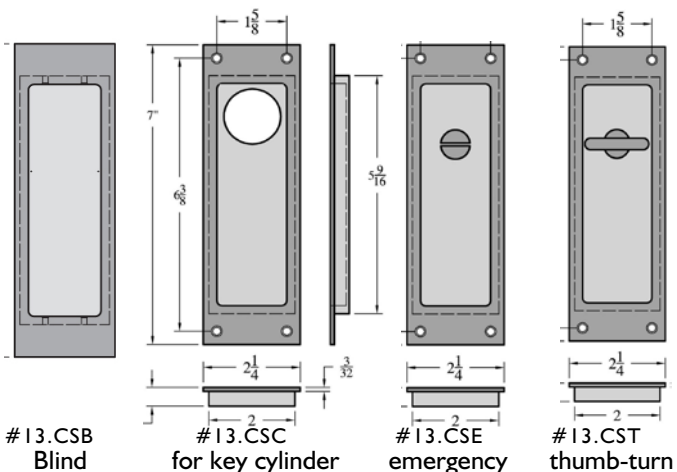


Flush plates: 13.FE9006E 13.FE9006T

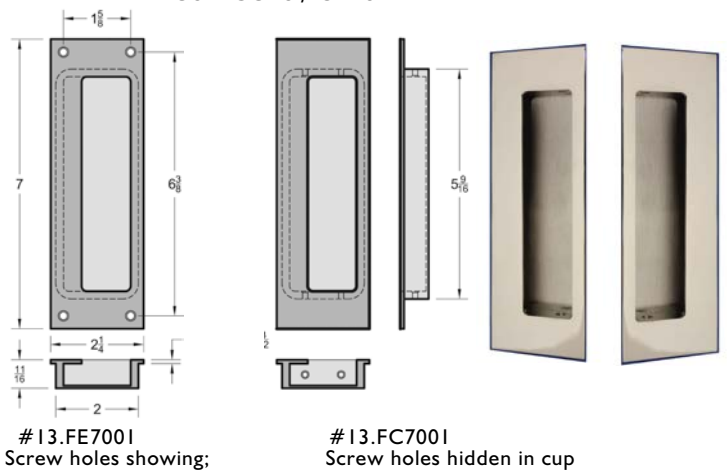
installation diagram with lock #13.001

SET: 13.PA90I Passage set with full mortise lock with flush escutcheon with pull cup; minimum door thickness: 1 3/8".
 SET: 13.PR90I Privacy set with full mortise lock with flush escutcheon with pull cup; minimum door thickness: 1 3/8".

FLUSH CUPS WITH TURNING LEVER / INDICATOR



FLUSH CUPS / OFFSET



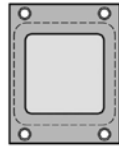
More parts shown separate on following pages



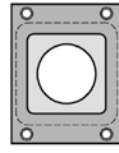
More designs for flush escutcheons and flush cups for pocket doors for mechanism 13.2002; 13.200; and 13.161



#13.FE2348E



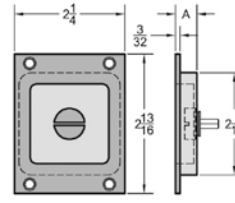
#13.FE2348B



#13.2348C



#13.FE2348T



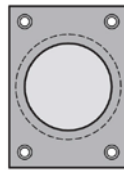
#13.FE2348E

A = 11/32"

Size: Outside: 2 13/16" x 2 1/4" x 11/32" Hole: 2 1/16" x 2 1/16" x 9/32"



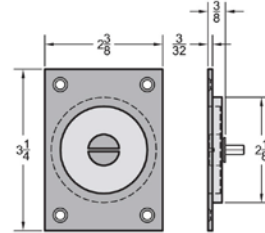
13.S161T



13.S161B (pair)



13.S161T



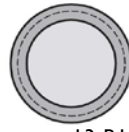
13.S161E

Dimensions: Outside: 3 1/4" x 2 3/8" Build in depth: 9/32". Drill Hole: 2 1/8"

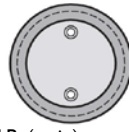


13.R161E

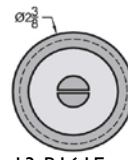
Dimensions: Outside: 2 3/8" diameter.



13.R161B (pair)



13.R161T



13.R161E

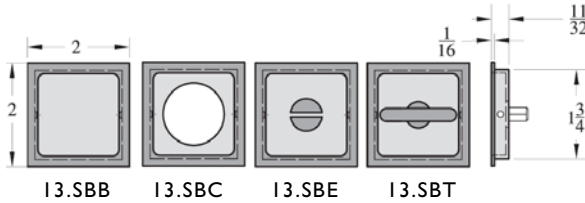
Drill Hole: 2 1/8"; thickness:



13.SBT

Dimensions: Outside: 2" x 2".

Hole size: 1 3/4" x 1 3/4"



13.SBB

13.SBC

13.SBE

13.SBT



13.FC9006E



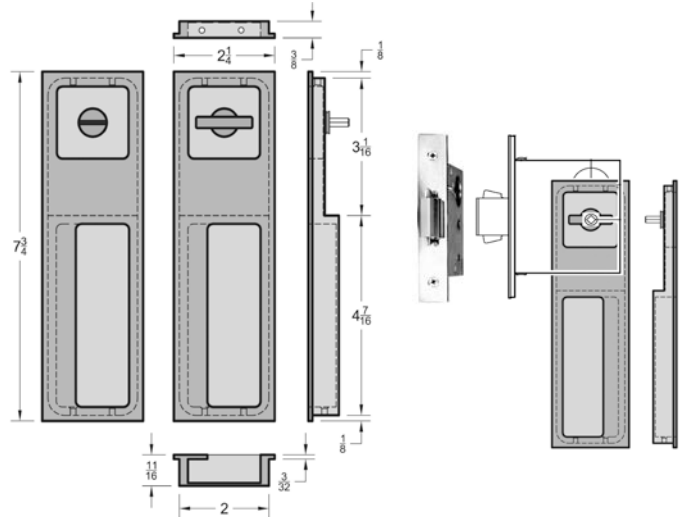
13.FC9006T



13.FC7346E



13.FC7346T



Flush Lever with separate flush pull cup; Please notice pull direction when ordering
Dimensions flush cups: 7 3/4" x 2 1/4" x 11/16" hole size: 2" x 7 1/2"

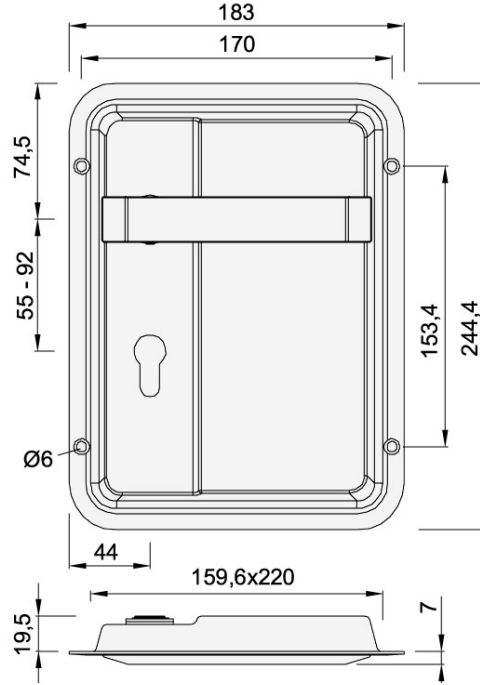
Installation for door thickness 1 3/8" with lock 13.001



Izerwaren
Order
number

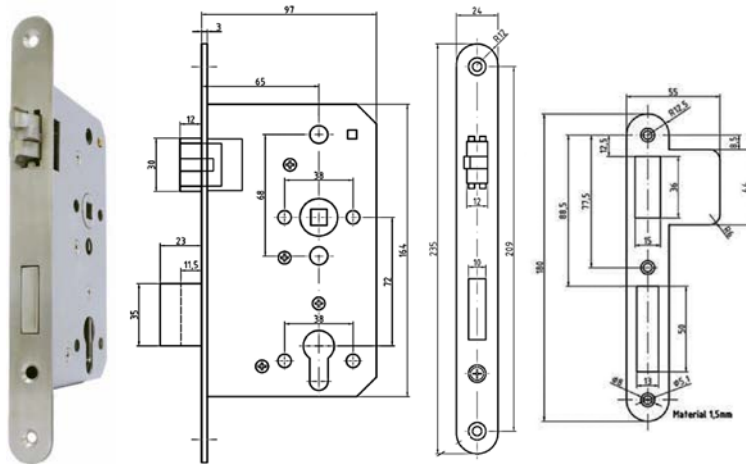
FOR 2 3/8" DOOR THICKNESS

53.5072 **Flush cupped plate with Lever, for use with entry set with Profile Cylinder**
304 stainless steel
Pocket door function 244.4 x 183 mm
Build in space depth: 20 mm;
Proud: 7 mm
Finish: satin or polished stainless steel
For use with 8 x 8 mm or 9 x 9 mm square spindle



Lock backset: From 55 mm to 65 mm
Distance Lever to keyhole: 75 to 92 mm

#53.5072 flush plate with lever pocket door function 244.4 x 183 mm
Build in space depth flush plate: 20 mm; proud: 7 mm



Entry lock set #14.3127Z 65 mm backset

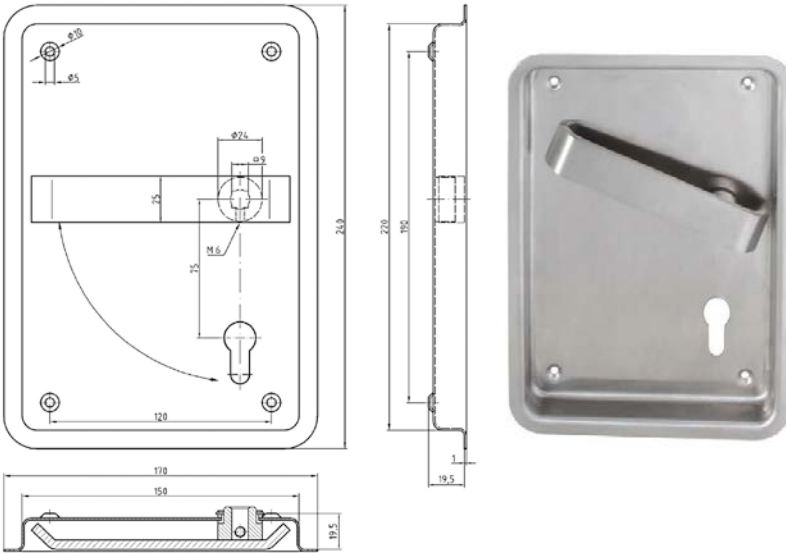


Izerwaren
Order
number

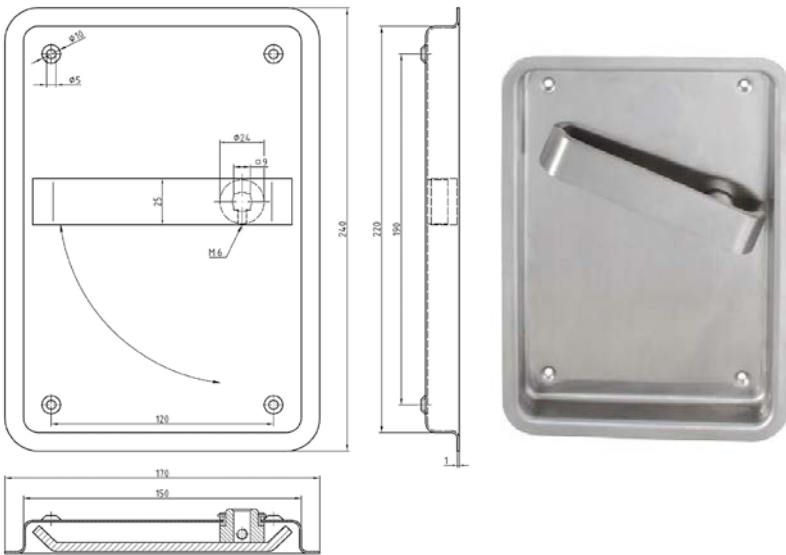
- High quality German 304 Stainless Steel Flush door lever handles for full size mortise locks with a min. backset of 55 mm
- Finish: Satin stainless steel or mirror polished stainless steel.

FOR 2 3/4 INCH DOOR THICKNESS

- 53.653 **Flush Plate with Lever, for use with entry set with Profile Cylinder**
 304 stainless steel
 Plate 240 x 170 mm;
 Build in: 220 x 150 mm
 Build in depth: 20mm
 Finish: satin or polished stainless steel
 With 8 x 8 mm or 9 x 9 mm square spindle

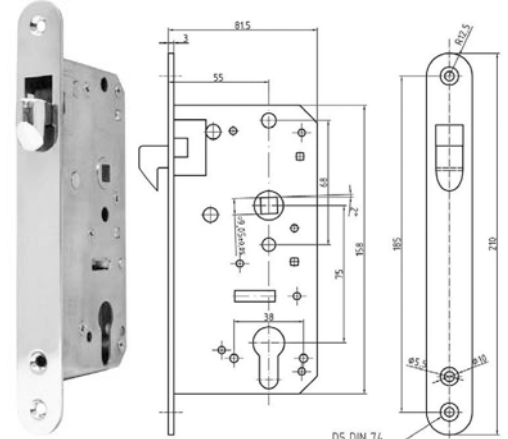


#53.653 Flush plate with lever. Plate 240 x 170 mm;
Build in depth: 20mm
Satin or polished stainless steel

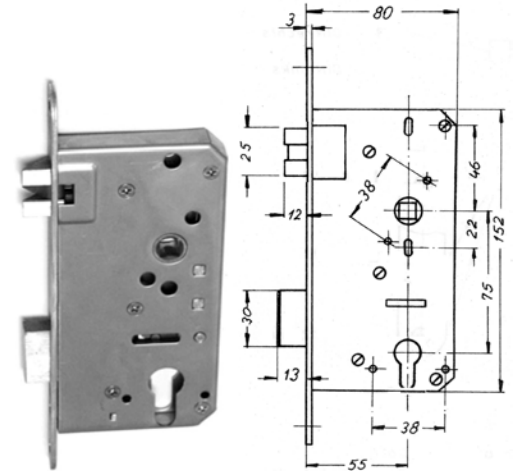


#53.659 Flush plate with lever. Passage function
Plate 240 x 170 mm;
Build in depth: 20 mm
Satin or polished stainless steel

NOTE: Lever not separately available
Only available as set with flush plates.
Similar lever for separate use: #12.53F on page I-1-2



- 13.81Z Use with Entry Sliding Pocket Door Lock
 C. spindle hole to C. key hole: 75 mm
 Case: 80 mm x 152 mm x 16 mm thick
 Front plate lock: 210 x 25 mm
 For 9x9 mm spindle /door lever handles
 For profile cylinder key/key or knob/key
- 13.81S Strike plate (stainless, square corners)
 Strike plate (brass, round corners)



14.37Z Entry Swinging Mortise lock; 55 mm backset
Stainless steel.

14.213 Entry strike plate

- 53.659 **Flush plate** with lever
 Passage function
 304 stainless steel
 Plate 240 x 170 mm;
 Build in: 220 x 150 mm
 Build in depth: 20 mm
 Finish: satin or polished stainless steel
 For 8 x 8 mm or 9 x 9 mm square spindle



Izerwaren
Order #

316 Stainless steel heavy duty track for sliding doors.

**Maximum door weight system #5:
33 lbs. using 2 carts;** carts placed at 36 inches
distance.
For heavier doors: see page 5-4-1 and 5-4-2,
Finish: rolled 316 stainless steel

**Overhead Sliding Door Track
distance between overhead and
door bracket: 1 1/2" or 38 mm**

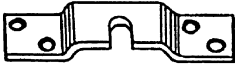
54.211 **Rails #5,** 21 x 21 x 1 mm
316 stainless steel
specify length, increments of one meter

54.251 **Rollers #5(carts)**
4 nylon wheels on stainless steel bearings with
M 8 bolt 316 stainless steel
maximum weight per cart: 16.5 lbs

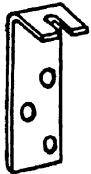
54.259 **End stop #5** with rubber buffer
316 stainless steel



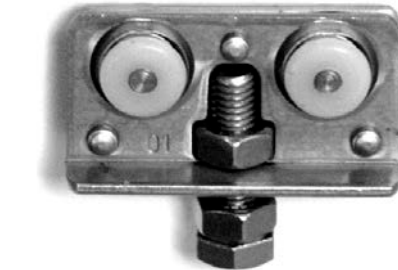
54.256 **Bracket top mounted #5**
100 x 20 x 2 mm
316 stainless steel



54.258 **Bracket side mounted #5**
82 x 40 x 22 x 3 mm
316 stainless steel



54.221 **Rail bracket, 90 degree, #5**
for mounting rail against side wall
304 stainless steel



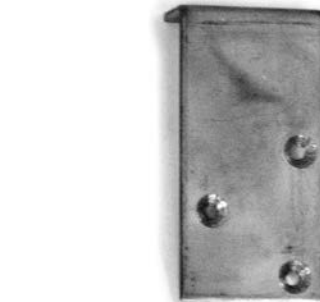
System #5 roller #54.251; nylon wheels,
stainless steel bearings



endstop #54.259,

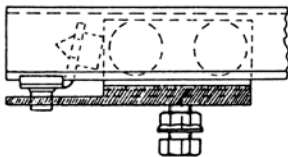


Top mounted door bracket #54.256;



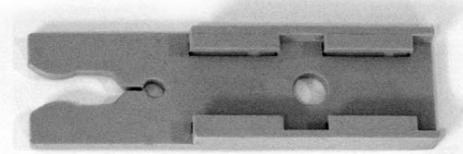
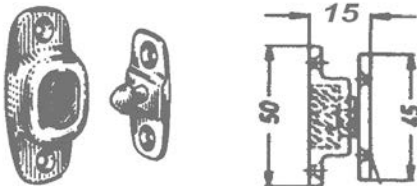
Side mounted door bracket #54.258

54.260 **Doorholder, plastic #5**
To keep door inside pocket, works with
Endstop# 54.259 only

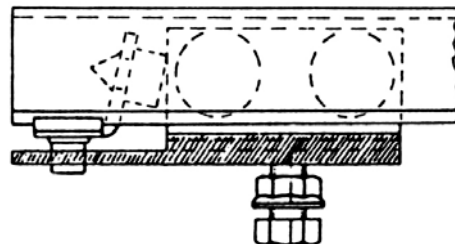


31.118 **Doorholder, 316 stainless steel #31.118**
Distance 15 mm / 5/8

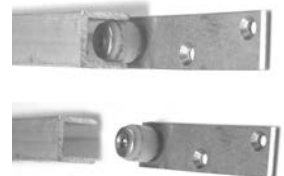
Mounts against the back edge of door to hold door in
pocket



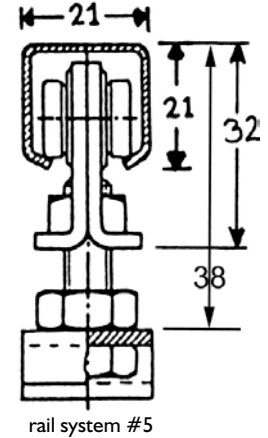
#54.281 bottom guide wheel
for sliding door. Plate
stainless steel 23 x 100 mm;
4 mm thick.
Diameter nylon wheel:
19 mm or 3/4 inch.



Keeper, plastic #54.260
To keep door inside pocket, works with endstop
#54.259 only



Depicted with aluminum U
shaped profile 1 x 1 inch.
Wall thickness: 1/8 inch



rail system #5

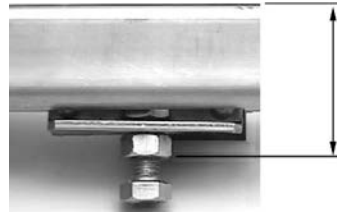


Izerwaren
order #

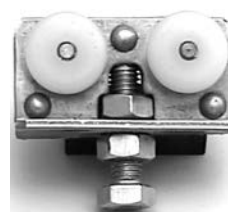
316 Stainless steel heavy duty track for sliding doors.

**Maximum door weight system #7:
165 lbs. using 2 carts;** carts placed at 36 inches distance.
For different weight doors:
see page 5-4 and 5-4-2,
Finish: rolled 316 stainless steel

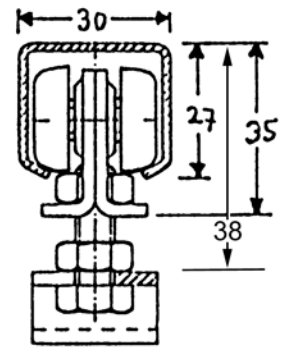
Overhead Sliding Door Track #7
Minimum distance between overhead and door: 1 1/2" or 38 mm



Track #7 #54.717



Roller #7 #54.751



rail system #7

54.717 **Rails #7**, 30 x 27 x 2 mm
316 stainless steel
specify length, increments of one meter

54.751 **Rollers #7(carts)**
4 nylon wheels on stainless steel bearings with M8 bolt. 316 stainless steel
maximum weight per cart: 82.5 lbs

54.759 **End stop #7**with rubber buffer
316 stainless steel



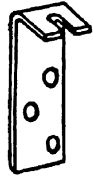
#7 Endstop #54.759

54.760 **Bracket top mounted #7**
100 x 20 x 2 mm
316 stainless steel



#7 Top mounted door bracket #54.760

54.758 **Bracket side mounted #7**
82 x 40 x 22 x 3 mm
316 stainless steel



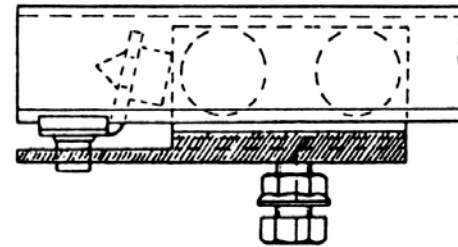
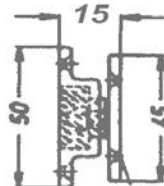
#7 Side mounted door bracket #54.758

54.756 **Doorholder, plastic #7**
To keep door inside pocket, works with Endstop# 54.759 only



#7 Wallbracket #54.722

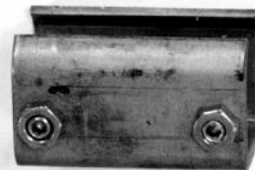
31.118 **Doorholder, 316 stainless steel #31.118**
Distance 15 mm / 5/8
Mounts against the back edge of door to hold door in pocket



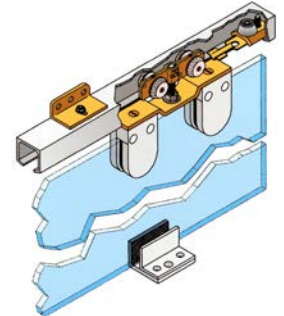
#7 Keeper, plastic #54.756
To keep door inside pocket, works with endstop only

54.722 **Rail to wall bracket , 90 degree, #7**
for mounting rail against side wall
304 stainless steel

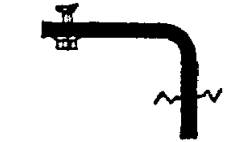
54.234 **Connecting bracket#7** for rail #7
With set screws



#7 Connecting bracket #54.234 for rail #54.717



rail system #7 with glass clamping brackets #85.S71



#7 Wallbracket #54.722



Connecting bracket #54.234 for rail #7
With set screws



#54.281 bottom guide wheel for sliding door. Plate stainless steel 23 x 100 mm; 4 mm thick.
Diameter nylon wheel: 19 mm or 3/4 inch.



Depicted with aluminum U shaped profile 1 x 1 inch. Wall thickness: 1/8 inch



Izerwaren order #

316 Stainless steel heavy duty track for sliding doors.

Maximum door weight system #8: 440 lbs. using 2 carts; carts placed at 36 inches distance.
For different weight doors: see page 5-4 and 5-4-1,
Finish: rolled 316 stainless steel

Overhead Sliding Door Track #8
Minimum distance between overhead and door: 3 1/4" or 82 mm

54.815 **Rails #8, 40 x 37 x 3 mm**
316 stainless steel
specify length, increments of one meter

54.851 **Rollers #8(carts)**
4 stainless steel wheels on stainless steel bearings with M12 bolt
316 stainless steel
maximum weight per cart: 220 lbs

54.859 **End stop #8 with rubber buffer**
316 stainless steel

54.860 **Bracket top mounted #8**
160 x 35 x 4 mm
316 stainless steel

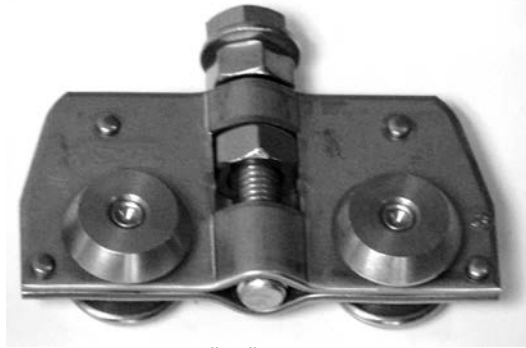
54.858 **Bracket side mounted #8**
82 x 40 x 22 x 3 mm
316 stainless steel

54.821 **Rail to wall bracket #8, 90 degree,**
for mounting rail against side wall
316 stainless steel

54.825 **Wall bracket #8** two parts
sideways adjustable.

54.835 **Ceiling or overhead bracket #8**

54.281 **Bottom guide wheel 19 mm / 3/4"**



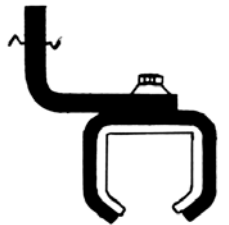
Roller #8 #54.815;
316 stainless steel with stainless steel bearings



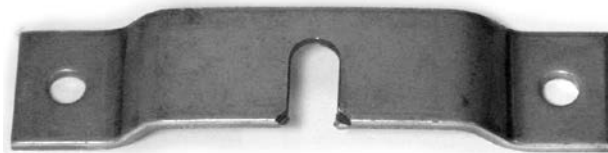
#8 Endstop #54.859



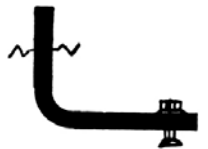
#8 overhead bracket #54.835



#8 wall bracket 54.825
sideways adjustable
two parts



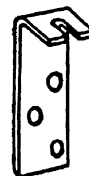
#8 Top mounted door bracket #54.860
160 x 35 x 4 mm or 6.25 x 0.825 x 0.25 inch



#8 wall bracket #54.821



#54.281 bottom guide wheel
for sliding door. Plate stainless
steel 23 x 100 mm;
4 mm thick.
Diameter nylon wheel:
19 mm or 3/4 inch.



#8 Side mounted door bracket #54.858
140 x 50 x 50 x 5 mm or 5 1/2 x 1 5/8 x 1 5/8 x 7/32 inch



Depicted with aluminum U
shaped profile 1 x 1 inch. Wall
thickness: 1/8 inch

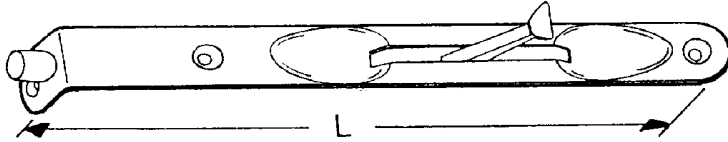


Izerwaren
Order
number

- High quality flush bolts
- Finish: Satin or polished stainless steel
- Brass flush bolts:
 - Finish: polished brass (un-lacquered)
 - polished chrome plated brass
 - satin chrome plated brass
 - custom finish



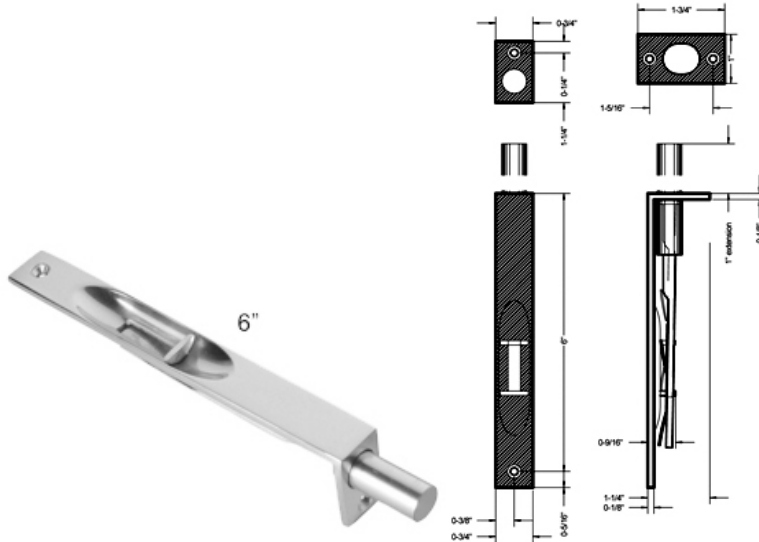
#55.509 304 stainless steel flush bolts size: 20 x 250 mm; depth: 50 mm
Positive locking in open and closed position



#55.509 Flush bolt size: 20 x 250 mm (3/4" x 9 7/8")

55.509 **Flush Bolt, heavy duty stainless steel**
304 stainless steel
Dimensions: 20 mm x 250 mm,
depth: 50 mm; throw: 150 mm
Finish: Satin or polished stainless steel

55.524 **Flush Bolt, heavy duty stainless steel**
304 stainless steel
Dimensions: **20 mm x 400 mm**
depth: 50 mm; throw: 15 mm
Finish: Satin or polished stainless steel



#55.264 Flush Bolt, medium duty; brass, with some steel parts
Operates by push lever; not positive locking
Dimensions: 18 mm x 152 mm; depth: 33 mm; throw: 25 mm
Flush bolt 3/4" x 6"; depth: 1 5/16"; throw: 1" Bolt diameter.
Finish: polished brass and polished or satin chrome; interior use

55.264 **Flush Bolt, medium duty**
brass, with some steel parts
Operates by push lever; not positive locking
Dimensions: 18 mm x 152 mm;
depth: 33 mm; throw: 25 mm
(3/4" x 6" x 1 5/16"; throw: 1")
Finish: polished or satin chrome
interior use



#55.668 series flush bolt 3/4" x 6"; depth: 1 5/16"; throw: 5/8";
Solid brass with stainless steel pins and springs.
Positive locking in open or closed position
Marine grade.

55.668 **Flush Bolt, medium duty**
brass, with stainless steel parts
Positive locking in open or closed position
Dimensions: 20 mm x 152 mm;
depth: 33 mm; throw: 15 mm
(3/4" x 6" x 1 5/16"; throw: 5/8")
Finish: polished or satin chrome



#55.3251 flush bolt 102 x 15 mm; polished brass Bolt: 8 mm diameter
#55.3252 flush bolt 102 x 15 mm; polished chrome Throw: 14 mm
Operates by push lever; not positive locking

55.3251 **Flush Bolt, light duty brass**
55.3252 **Flush Bolt, light duty chrome**
Operates by push lever; not positive locking
Dimensions:
15 x 102 mm, polished brass
15 x 102 mm, polished chrome
Bolt: 8 mm diameter, throw: 14 mm

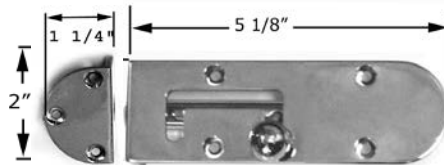


52.518 **Flush Bulwark / Barrel Bolt**
6 3/8" x 2" x 1"
Spring-loaded; Heavy duty
Build in depth: 3/4"
1/2" inch round bolt;
Extending 1 1/8"
316L stainless steel

Strike plate included
1 1/4" x 2" x 1"



#52.518 Bulwark / barrel bolt, spring loaded, with strike; left hand



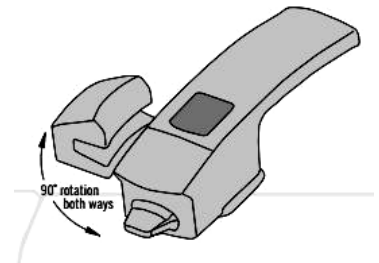
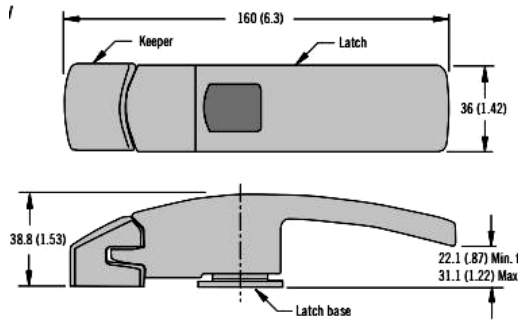
#52.519 Bulwark / Barrel bolt spring loaded with strike; right hand;
Size: 5 1/8" x 2" x 1", Strike 1 1/4" x 2" x 1"



44.55646 **Transom Bolt**
Body: 6.3" x 1.42"
Both Handed
316 stainless steel
Stylish Latch for Transom and Swim Platform doors.

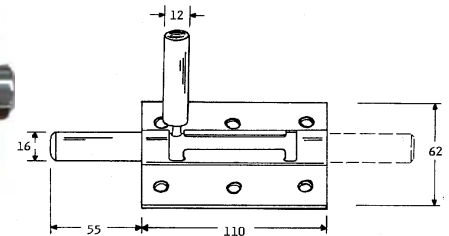
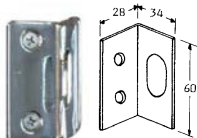


#44.55646 **Transom Bolt / Dive Door Handle**
6.3" x 1.42" Both handed
316 stainless steel

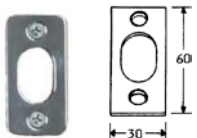


55.206 **Barrel Bolt, heavy duty**
304 stainless steel
Dimensions plate: 62.x 110 mm
Barrel: 16 mm diameter
throw bolt: 55 mm Exterior use

55.207 **Strike angle** 60 x 34 x 28 mm

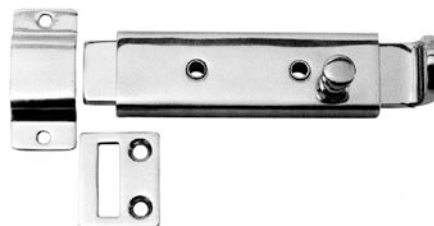


55.208 **Strike flush** 60 x 30 mm



#55.206 Stainless steel barrel bolt plate size: 110 x 62 mm or 4 1/4" x 2 1/2"; Bolt: 16 mm diameter
Finish: Satin or polished 304 stainless steel

44.0604 Transom bolt / barrel bolt;
Size: 4" x 1 1/4" x 1/2"
Throw: 7/8"
316 Stainless Steel



#44.0604 Transom bolt / barrel bolt; Body: 100 X 32 X 12 mm; 4" x 1 1/4" x 1/2";
Throw: 7/8" 316 stainless steel
Strike flush #44.0605; Strike angle #44.0606
EXCELLENT FOR BULWARK DOORS

44.0605 #44.0605 #44.0606



Izerwaren
Order
numbers
44.2909

- High quality barrel bolts

Barrel bolt:
Overall: 133 X 38 X 19 mm;
5 1/4" x 1 1/2" x 3/4"; Throw: 1 1/8"



44.2909 Transom bolt / barrel bolt 5 inch; 316 stainless steel
Overall: 133 X 38 X 19 mm; 5 1/4" x 1 1/2" x 3/4"; Throw: 1 1/8"

44.5455

Barrel bolt:
Overall: 110 X 38 X 19 mm;
4 3/8" x 1 1/2" x 3/4"; Throw: 1"
316 stainless steel



44.5455 Transom bolt / barrel bolt 4 3/8 inch; 316 stainless steel
Overall: 110 X 38 X 19 mm; 4 3/8" x 1 1/2" x 3/4"; Throw: 1"

92.080

Barrel Bolt, light duty
Dimension plate:
50 x 36 mm or 2 x 1 7/16"
Barrel: 10 mm diameter or 3/8"
throw bolt: 32 mm; 1 1/4"
304 stainless steel



#92.080; small barrel bolt with strike plate; plate size: 50 x 36 mm 2" x 1 7/16";
strike: 30 x 36 mm; 1 3/16" x 1 7/16"; throw: 1 1/4". 304 stainless steel

92.2080

Barrel Bolt, light duty
Dimension plate: 80 x 22 mm
Barrel: flat 12 x 2.5 mm
throw bolt: 20 mm; 3/4"
304 stainless steel



#92.2080 barrel bolt with strike; body: 80 x 22 mm; throw: 20 mm. 3/4 inch
304 stainless steel

92.081

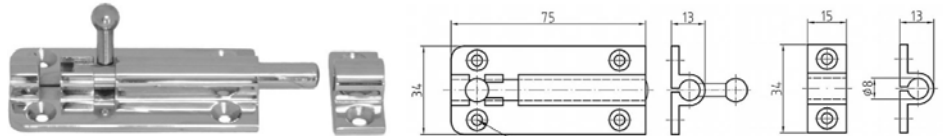
Barrel Bolt, light duty
316 Stainless steel
5" x 1" overall
Bolt: 1/4"; Throw: 1/2"



#92.981 Barrel Bolt; 5" x 1" Bolt: 1/4" diameter; Throw: 1/2" 316 stainless steel

92.2105

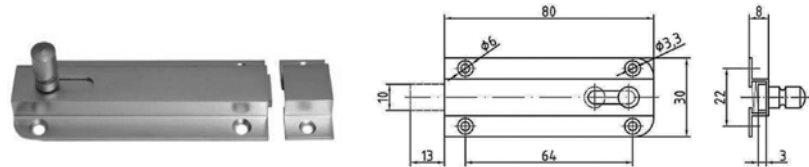
Barrel Bolt, light duty
brass chrome plated
34 x 75 mm
Bolt: 8 mm; Throw: 13 mm



92.2105; Brass chrome plated barrel bolt; 34 x 75 mm; throw: 13 mm

92.3002

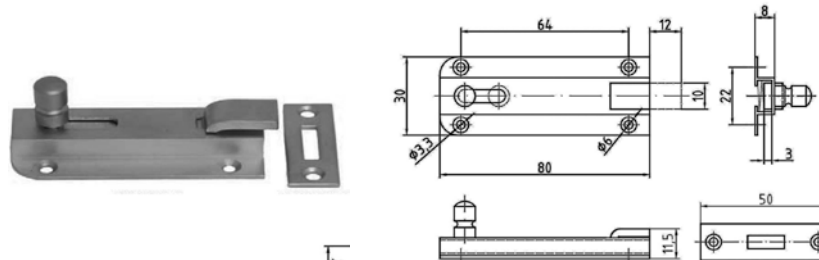
Barrel Bolt, light duty
Brass chrome plated
30 x 80 mm
Bolt flat; Throw: 13 mm



92.3002; Brass chrome plated barrel bolt; 30 x 80 mm; throw: 13 mm

92.3102

Barrel Bolt, light duty
Brass chrome plated
30 x 80 mm
Bolt offset 8 mm; Throw: 13 mm



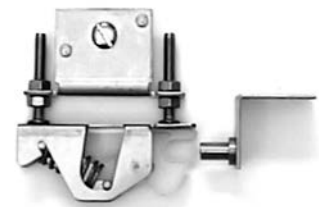
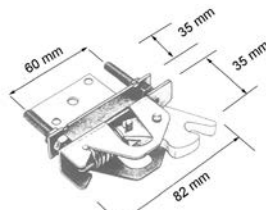
92.3102; Brass chrome plated barrel bolt offset; 30 x 80 mm; throw: 13 mm



Part #
55.296

Drawer Catch, toggle type, heavy duty

304 stainless steel
Dimensions catch: 82 x 35 mm
Bolts M5 x 35 mm; distance center to center:
60 mm
mounting plate: 75 x 38 mm; 2 mm thick
nylon toggle, activated by strike pin.
strike pin 36 x 32 angle plate; 2 mm thick;
pin M8 x 13 mm
Finish: stainless For exterior use



#55.296 304 stainless steel drawer catch with strike pin, heavy duty

55.298

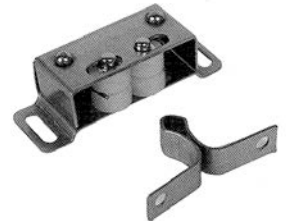
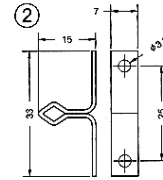
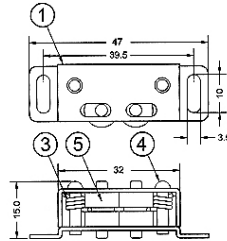
Drawer Catch, toggle type, medium duty

Same as above, lighter spring

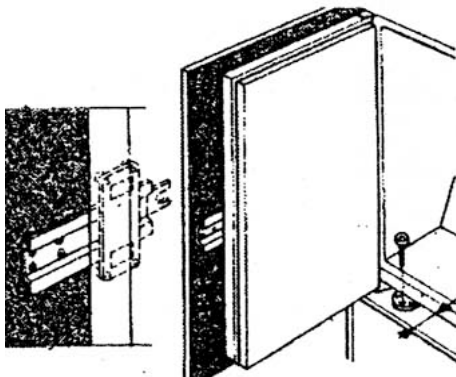
55.297

Drawer Catch, light duty

304 stainless steel
Dimensions catch: 47 x 15 mm
mounting plate: 25 x 7 mm; 1 mm thick
nylon rollers Finish: stainless



#55.297 304 stainless steel drawer catch with strike, light duty



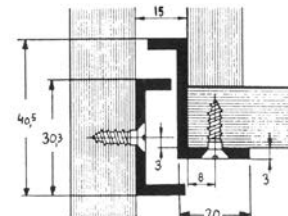
55.2603

Refrigerator double door slide #372603 white plastic

55.593

Drawer slides, Swiss made,

304 stainless steel, stainless steel bearings, noise arm
only 15 mm / 9/16" thick slide; 75 % extendable, 2 pieces
sizes not extended: 400, 450, 500, 550, 600, 650, 700, 750 mm
Up to 100 kg / 220 lbs

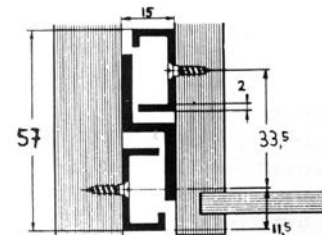


#55.593; 75% extension, 9/16" wide, weight drawer up to 220 lbs,

52.673

Drawer slides, Swiss made,

304 stainless steel, stainless steel bearings, noise arm
only 15 mm / 9/16" thick slide; full extendable, 3 pieces
sizes not extended: 400, 450, 500, 550, 600, 650, 700 mm
up to 35 kg 77 lbs.

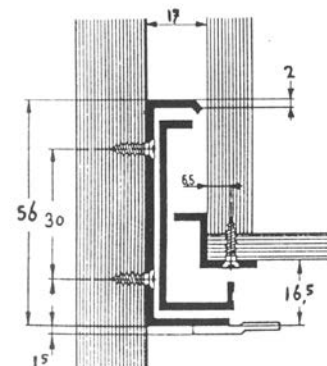


#52.673, 9 16" wide, weight drawer up to 75 lbs.

52.793

Drawer slides, Swiss made, heavy duty

304 stainless steel, stainless steel bearings, noise arm
only 20 mm / 3/4" thick slide; full extendable, 3 pieces
sizes not extended: 400, 450, 500, 550, 600, 650, 700 mm up
to 125 kg / 275 lbs.
20 mm / 3/4" thick slide; full extendable, 3 pieces



#52.793 11/16" wide, bottom mounting, weight drawer up to 275 lbs.



Izerwaren
Order
number

- Heavy duty
- Satin stainless steel
- Polished stainless steel
- PVD coated = Life Time Finish Brass, Gold color



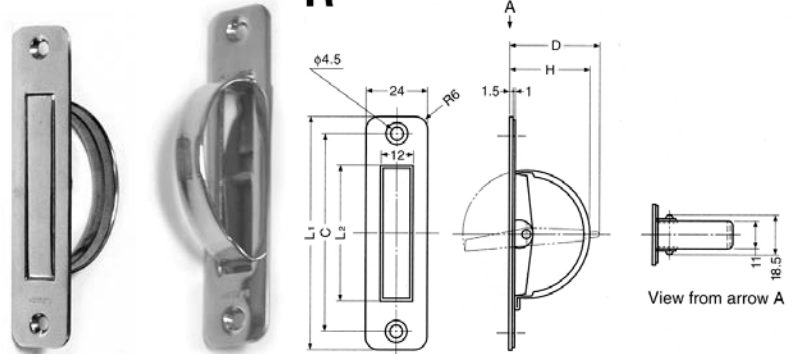
13.209

Edge pull,
Brass Diameter: 25 mm or 1 inch
Built in depth: 25 mm or 1 inch.
Black plastic end cap

#13.209; door edge pull, 25 mm diameter, built in depth 25 mm material: brass

13.219

Edge pull, heavy duty
Ring model
304 stainless steel
Dimensions 110 x 24 mm
Round corners



#13.219; 110 x 24 mm round corners; built in depth 30 mm; stainless steel

13.249

Edge pull, light duty
Single Hook model
304 stainless steel
Dimensions 100 x 20 mm
Square corners



#13.249; 100 x 20 mm; built in depth 23 mm; material stainless steel

13.229

Edge pull, heavy duty
Double Hook model
304 stainless steel
Dimensions 115 x 25 mm
Square corners
(not depicted)

13.239

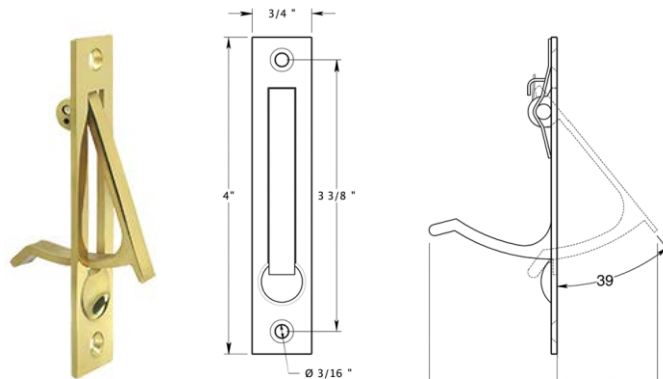
Edge pull, medium duty
Double Hook model
304 stainless steel
Dimensions 91 x 22 mm
Square corners



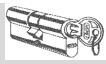
#13.239; 91 x 22 mm; built in depth 35 mm; material stainless steel

13.475

Edge pull, medium duty
pull model
4 x 3/4 inch; built in depth 1 5/8 inch;
material brass
Square corners
D EP00475U3



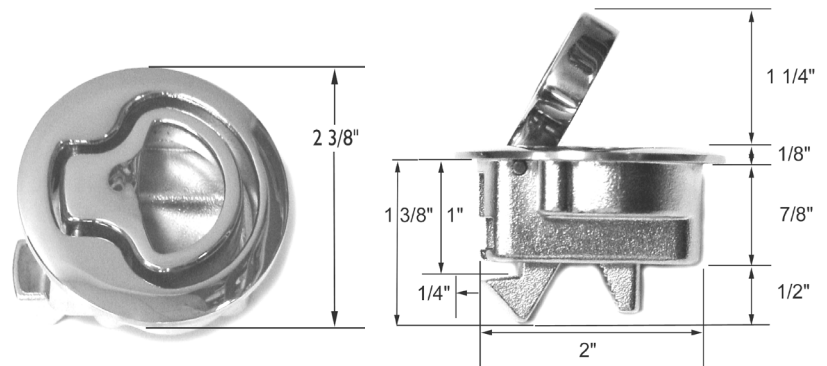
#13.475; 4 x 3/4 inch; built in depth 1 5/8 inch; material brass



Izerwaren
Order
numbers

- 43.F01 **Slam latch for hatches**
Set: latch, mounting ring with screws; strike.
Diameter: 2 3/8"
Built in diameter: 2"
Material thickness: from 1/4" up to 13/16"
Spring loaded slam action on latch bolt
Polished Stainless steel 316;
- 43.F02 **Slam latch for hatch, locking with key**

SLAM LATCH WITH LIFT RING



Slam latch #43.F01

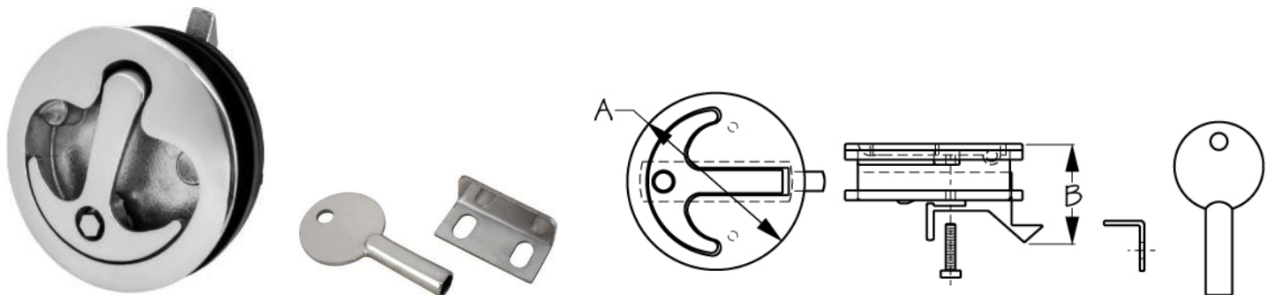
Installation body: Drill hole: 2 1/16" Ø

SLAM LATCH WITH PULL LEVER ANCHOR STYLE



#43.831S Flush Slam latch, Pull type. Anchor style lift ring; strike plate included. **Pull Out** to release.
Dimensions: 2 7/16" (A) x 1 1/2" (B) x 2 1/4" (C) x 3/4" (D) Door thickness: 3/4". 316 Stainless Steel Satin Finish

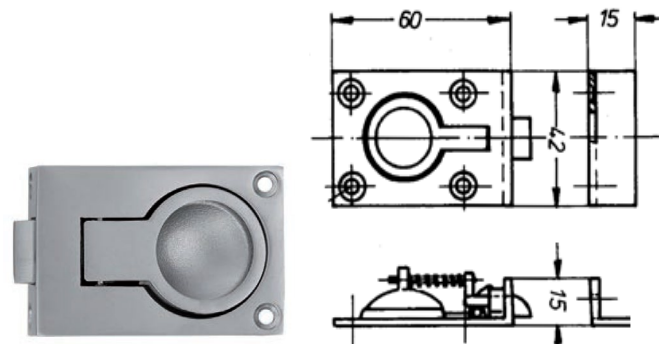
SLAM LATCH WITH LIFT RING ANCHOR STYLE



#43.972 Flush Slam latch with lift ring and angle strike plate, **locking**. **Pull Out** to release.
Dimensions: 2 3/8 diameter (A) x 1 11/16 deep (B) Hole size: 2 inch; Door thickness: 1/4 inch to 3/4 inch
316 Stainless Steel Mirror Polished Finish



#43.9714 Slam latch 2 7/16 diameter (A); drill hole 2 3/16 inch, distance (B): 1 3/8" material up to 5/8" thick; 316 polished stainless steel



#46.108 Flush Pull Lift with Latch and Strike
Dimension: 60 x 42 x 15 mm; **Pull Out** to release
Angle strike 15 x 15 x 42 mm; Door thickness: 5/8" or 15 mm
Polished Chrome Plated Brass